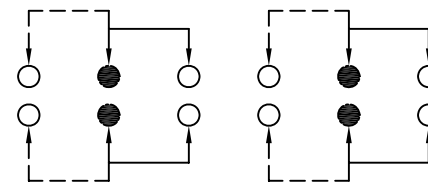
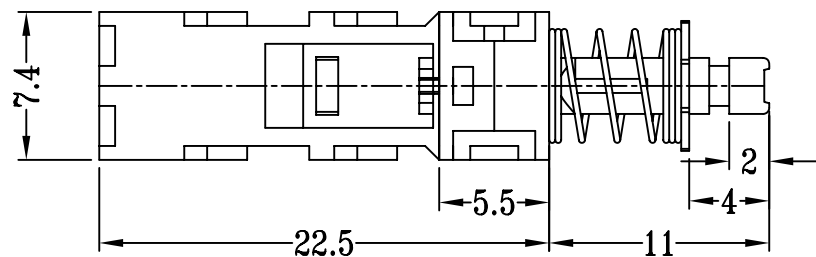
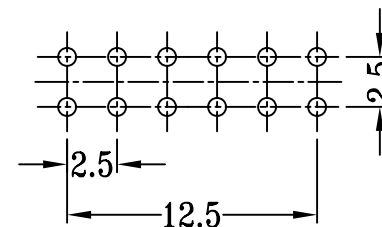
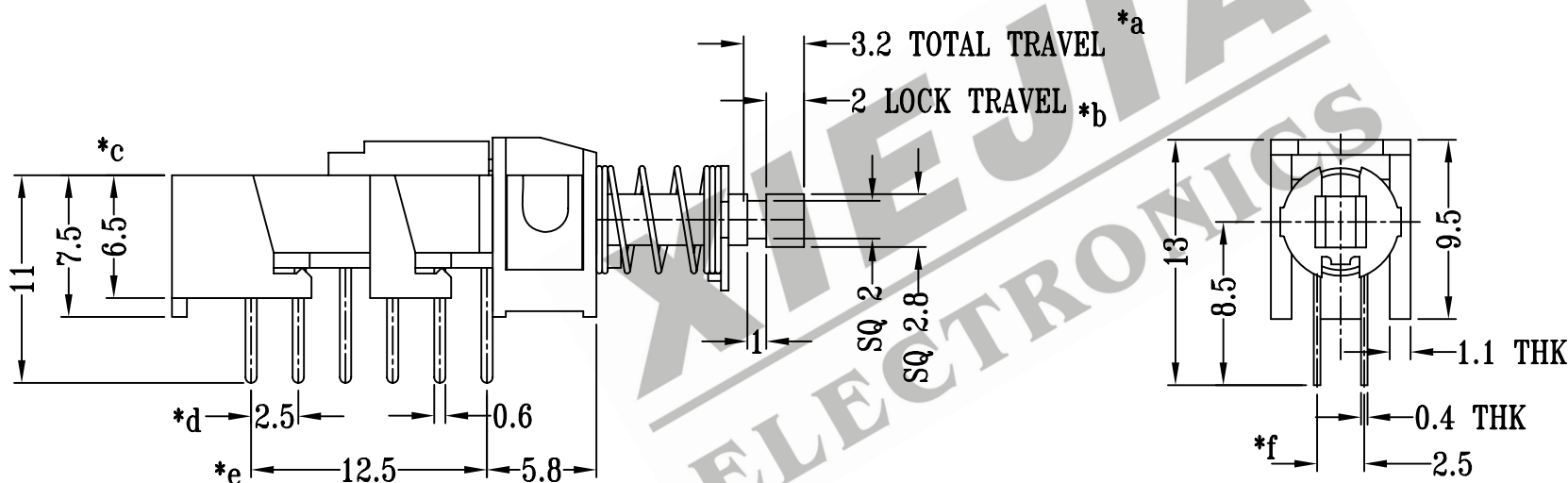


CAD FILE:



SCHEMATIC (NON-SHORTING)



P.C.B LAYOUT

注：“*”表示关键尺寸（6个）

10	CONTACT CLIP	PBS	4	Ag CLAD
9	CAM STICK	BRASS WIRE	1	NATURAL
8	BASE	PHENOLIC RESIN	1	NATURAL
7	TERMINAL	BRASS STRIP	12	Ag PLATED OVER Ni PLATED
6	SPRING PLATE	PBS STRIP	1	NATURAL
5	HOUSING	PC	1	BLACK
4	SLEEVE	POM	1	BLACK
3	SPRING	STAINLESS STEEL	1	TEMPER
2	BLOCK	STEEL STRIP	1	Ni PLATED
1	KNOB	POM	1	BLACK
NO.	PART NAME	MATERIAL	Q'TY	FINISHING

TOLERANCE UNLESS SPECIFIED		SHENZHEN XIEJIA ELECTRONICS CO.,LTD.		
WITHIN: 1.5±0.1mm OVER : 1.5±0.2mm		ISSUE	DATE	DESCRIPTIONS
TITLE : PLASTIC PUSH SWITCH		UNIT : MM		DRWG NO.: XJ-DR-PBS42D02(SL)-00
MODEL: PBS-42D02 (SL)		SCALE: 5:2		DWN. ZHOUYU 2003-2-1
ALL MATERIALS MUST BE COMPLIANT TO ROHS		APPD. KANGXINAN		2003-2-1